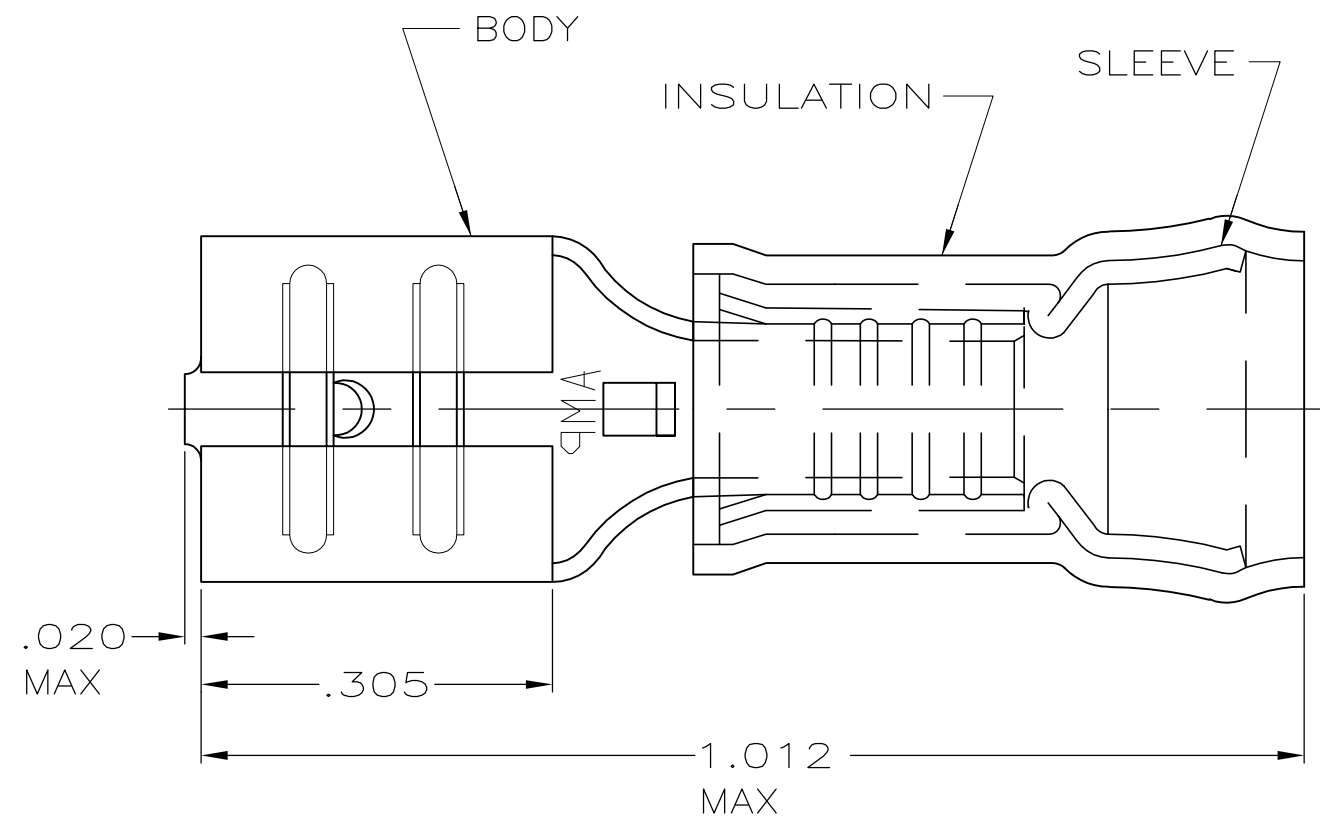


THIS DRAWING IS UNPUBLISHED. RELEASED FOR PUBLICATION  
 © COPYRIGHT - By - ALL RIGHTS RESERVED.

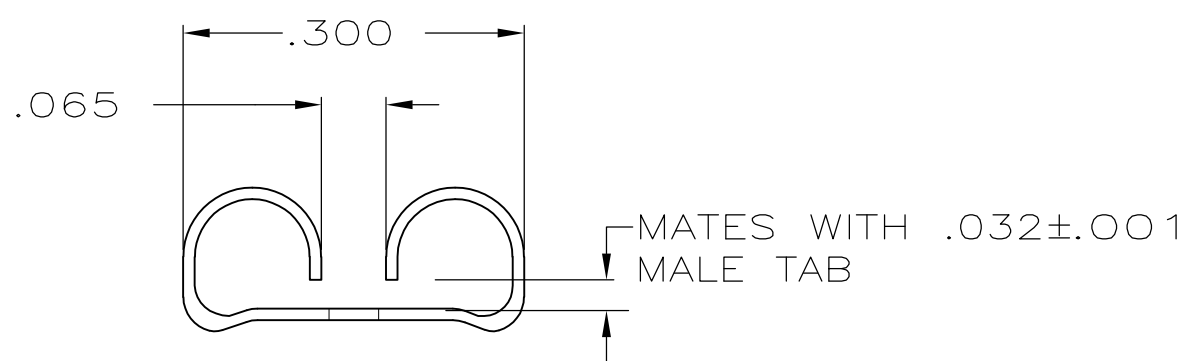
LOC	DIST	REVISIONS					
		P	LTR	DESCRIPTION	DATE	DWN	APVD
G	14		Z1	REVISED PER ECO-11-004820	11MAR11	RK	HMR



- 1. FOR .250 MAX INSULATION DIA
- 2. MAX WIRE LIMITED TO 6,470 CMA

**OBSOLETE**

PHOS BRONZE QQ-B-750	50	LOOSE PIECE,BOX	9-42844-2
BRASS MIL-C-50	100	LOOSE PIECE,BOX	8-42844-1
BRASS MIL-C-50	2500	ON TAPE, REEL	42844-3
PHOS BRONZE QQ-B-750	-	LOOSE PIECE	42844-2
BRASS MIL-C-50	-	LOOSE PIECE	42844-1
BODY MATERIAL	QTY	PACKAGE TYPE	PART NO



**AMP INCORPORATED  
 CUSTOMER SERVICE SYSTEM**

FOR ADDITIONAL PRODUCT INFORMATION OR COPIES OF DRAWINGS AND TECHNICAL DOCUMENTS: PRODUCT INFORMATION CENTER 1-800-522-6752

FOR APPLICATION TOOLING INFORMATION: TOOLING ASSISTANCE CENTER 1-800-722-1111

FOR ORDER ENTRY: 1-800-526-5142

MAX RECOMMENDED OPERATING TEMPERATURE: -

VOLTAGE RATING: -

CIRCULAR MIL AREA: -

THIS DRAWING IS A CONTROLLED DOCUMENT.

DIMENSIONS: INCHES

TOLERANCES UNLESS OTHERWISE SPECIFIED:

0 PLC	± -
1 PLC	± -
2 PLC	± .015
3 PLC	± -
4 PLC	± -
ANGLES	± -

MATERIAL: BODY,SEE TABLE INSUL,NYLON,COLOR,GREEN

FINISH: BODY,TIN PLATE PER MIL-T-10727

DWN L OLMEDA 26JUN95

CHK M ELLIS 26JUN95

APVD B BARE 26JUN95

PRODUCT SPEC

APPLICATION SPEC

WEIGHT -

**STE** TE Connectivity

RECEPTACLE, 250 SERIES, FASTON™, PIDG™, WIRE SIZE, 14-12 AWG

SIZE: A3 CAGE CODE: 00779 DRAWING NO: C-42844 RESTRICTED TO: -

CUSTOMER DRAWING SCALE: 6:1 SHEET: 1 OF 1 REV: Z1